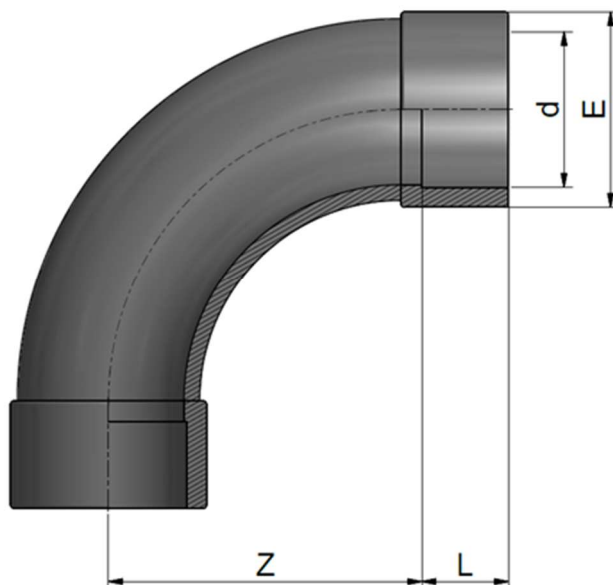


PVC-U Solvent welded BS fittings
PVC-U Raccordi per incollaggio BS

BEND 90°
CURVA 90°

Rev. Oct 2020



Code	d	L	Z	E	PN	Weight (g)
RARCUA0200	1/2"	16	40	28	15	38
RARCUA0250	3/4"	19	50	35	15	70
RARCUA0320	1"	22	64	42	15	118
RARCUA0400	1"1/4	26	80	51	15	180
RARCUA0500	1"1/2	31	100	63	15	320
RARCUA0630	2"	38	126	77	15	535
RARCUA0750	2"1/2	44	150	94	15	1015
RARCUA0900	3"	51	180	113	15	1590
RARCUA1100	4"	61	220	132	15	2640

All descriptions and illustrations in this publication are intended for guidance only and shall not constitute a 'sale by description'. All dimensions given are nominal, while changes can be done on the information, products and specifications from time to time for a variety of reasons, without prior notice. The information in this publication is provided 'as is' on the revision date stated on the sheet. Updates will not be issued automatically. This information is not intended to have any legal effect, whether by way of advice, representation or warranty (express or implied). We accept no liability whatsoever (to the extent permitted by law) if you place any reliance on this publication you must do so at your own risk. All rights reserved. Copyright in this publication belongs to Polypipe Italia and all such copyright may not be used, sold, copied or reproduced in whole or part in any manner in any media to any person without prior consent. **EFFAST** is a registered trademark."